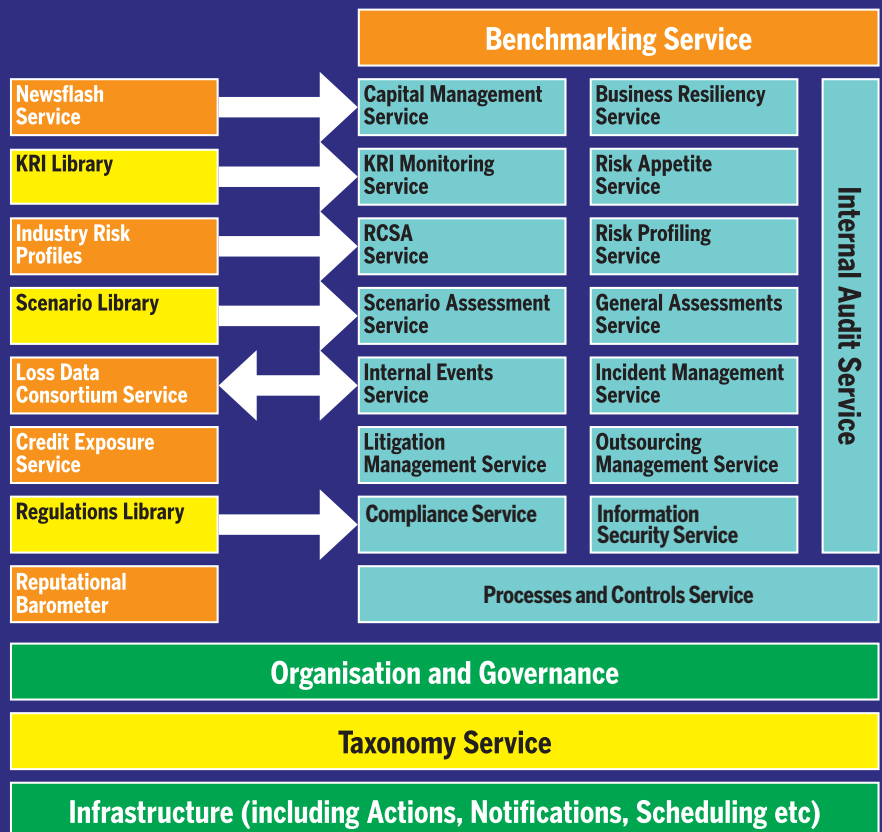


Risk*IntelliSet*

The Risk*Business* Risk*IntelliSet* is a comprehensive flexible modular solution to the modern operational risk, compliance, audit and governance requirements of small, medium, large and global conglomerate firms alike. Designed by industry practitioners for use by fellow practitioners, components of the Risk*Business* Risk*IntelliSet* are already used by over 200 firms globally. But – unlike the majority of software solutions on offer – the Risk*Business* Risk*IntelliSet* is available with fully-integrated risk content, including numerous classification taxonomy hierarchies, libraries of key risk and control indicators, scenarios and regulations and with continuously-updated breaking news public loss data.

In today's evolving technology environment, concepts such as the Cloud, big data and risk intelligence requirements often dominate discussions on what solution a firm should select and implement. But what is often neglected is what functionality the firm needs, with the core risk framework and its supporting tools forming the cornerstone of the business and risk requirements, supported by a firmwide common classification language, extensible across risk management, compliance, audit, information security, business resiliency, legal and governance activities and data. And it is exactly this requirement which the Risk*Business* Risk*IntelliSet* is focussed on satisfying – accommodating your framework and requirements in a comprehensive and structured manner, rather than forcing you to change your framework, approach, tools and requirements to fit into the prescribed capability of most software solutions.



With highly-flexible and configurable support for the typical OpRisk tools, such as risk and control assessment, internal loss data management, KRI data management and scenario assessment, the Risk*Business* Risk*IntelliSet* adds support around legal case management, outsourcing risk assessments, business resiliency management, process and controls documentation and management, compliance assessments and internal audit to more specialised aspects such as capital estimation and “real-time” risk appetite management.

CORE FUNCTIONALITY

The Risk *Business Risk IntelliSet* is underpinned by the organisation structure, with various views on how the organisation operates, such as legal entity, geographical location, operational, staffing and management structures. This facilitates the authorised user using any of these dimensions, amongst others, to interrogate, integrate and aggregate relevant risk information.

Risk Profiling

Develop, document and manage risk profiles at any level within the organisation, allowing a snapshot view on anticipated exposures, supported by aggregation upwards across the organisation structure, across product types and across locations. Various options on what is assessed within each risk point on the profile are available.

Risk and Control Assessments

Whether by questionnaire or formal assessment, drill down into higher risk areas and assess control design strength, control effectiveness and overall risk exposure, drawing upon reusable processes, risks, causal drivers and controls.

Internal Loss Data

Collect emerging risk events, from losses through unexpected gains, timing events to near misses, employing automated classification tools and workflow to manage the risk from discovery, through quantification and remediation to final closure. Apply a range of analysis to the data set, including frequency and severity distributions and extract both standard regulatory reports and management reports.

KRI Monitoring

Define the various risk and control indicators to be reported by each entity and the target audience, supported by flexible multi-level thresholds and automated alerts, then start collecting the data, either through direct entry, data import or by building automated realtime interfaces using the Risk *IntelliSet*'s standard software development kit.

Scenario Assessments

Document single or multi-variable scenarios, supported by illustrative risk, loss and KRI data, then manage scenario assessment scheduling, collect data from interviews, questionnaires or workshops, then develop a range of reports across multiple iterations of the assessment programme.

Processes and Controls

Document and maintain processes and process descriptions, controls and control documentation, with supporting policy and procedure management and process flow diagrams, onto which causal factors, business assets (such as systems, documents and data, infrastructure, staff, etc), risks, audit and assessment findings, KRIs, loss events, etc can be displayed, all colour coded to reflect the assessed riskiness of each item.



Compliance

Create compliance profiles reflecting where the firm is exposed to specific compliance requirements, document and manage compliance findings and resultant remedial actions plans and undertake detailed compliance assessments of those entities deemed to represent significant compliance exposure for the firm.

Internal Audit

Schedule audits, complete audit checklists, document audit findings and prepare, process and manage the overall audit report, with remedial action planning and tracking and the ability to monitor the ongoing status of open audit findings.

Risk appetite

Define a granular structure of risk appetite tolerances, then select relevant data sources such as losses, audit findings, compliance findings, KRIs, public loss data, risk assessments, etc and initiate the consolidation of the source data, within comparison against thresholds on an ongoing, real-time basis, with alerts generated to identified individuals as and when the thresholds are broken.

SUPPORTING FUNCTIONALITY



The Risk*Business RiskIntelliSet* also supports capital estimation and ICAAP, the management of litigation cases, undertaking business continuity testing, planning and business impact assessments, supports the workflow driven management of a wide range of incidents and complaints, facilitates information security assessments and has comprehensive support for outsourcing risk assessments, service level agreement management and vendor risk assessments.

CONTENT

A software solution without content and intelligence is similar to a star in the sky, pretty to behold but of little business benefit. The Risk*Business RiskIntelliSet* is supported by five core forms of award-winning content.

Taxonomy Library

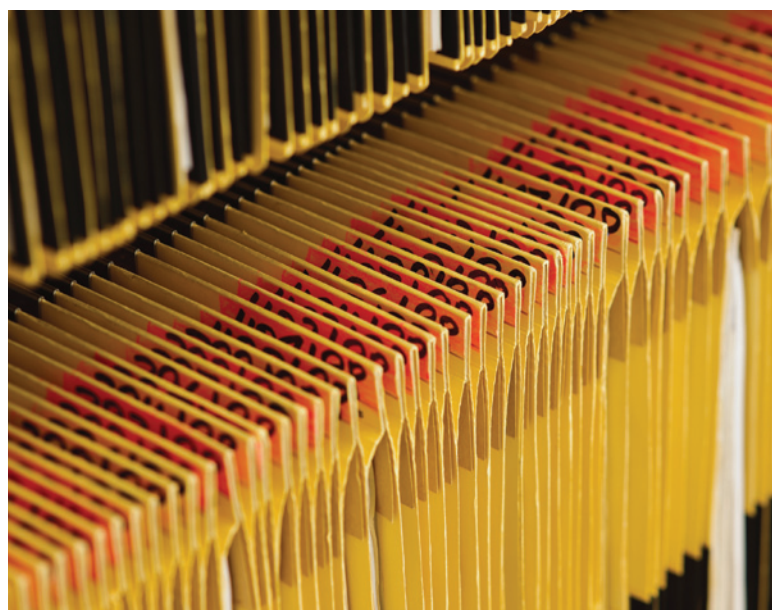
An encyclopaedia of classification hierarchies covering process type, risk type, risk (event) category, control type, control class, causal type, impact type, product type, business line, recovery type, geographic structures, industry type and other, firm-specific hierarchies. Document your own taxonomy or create it from selected structures within one of the taxonomies provided, then employ automated translation tools and data quality assistance tools to ensure all your OpRisk programmes employ a common language.

KRI Library

A library of more than 2,500 detailed key risk and control indicator specifications, designed and built in conjunction with industry working groups and linked to a set of industry risk profiles. Select and use those specifications you need, or create and document your own.

Scenario Library

A library of more than 400 detailed scenario outlines, including clear boundary rules, causal factors, potential impacts and illustrative public loss events. Use scenarios from the Library, amend them or add your own scenarios to maintain an up-to-date repository of scenarios for assessment.



Regulations Library

Use the ever growing detailed library of international, regional and country-specific regulations, cross-catalogued by regulatory theme and meta data classification tags as part of your compliance assessments or link them to internal loss events of a compliance failure nature.

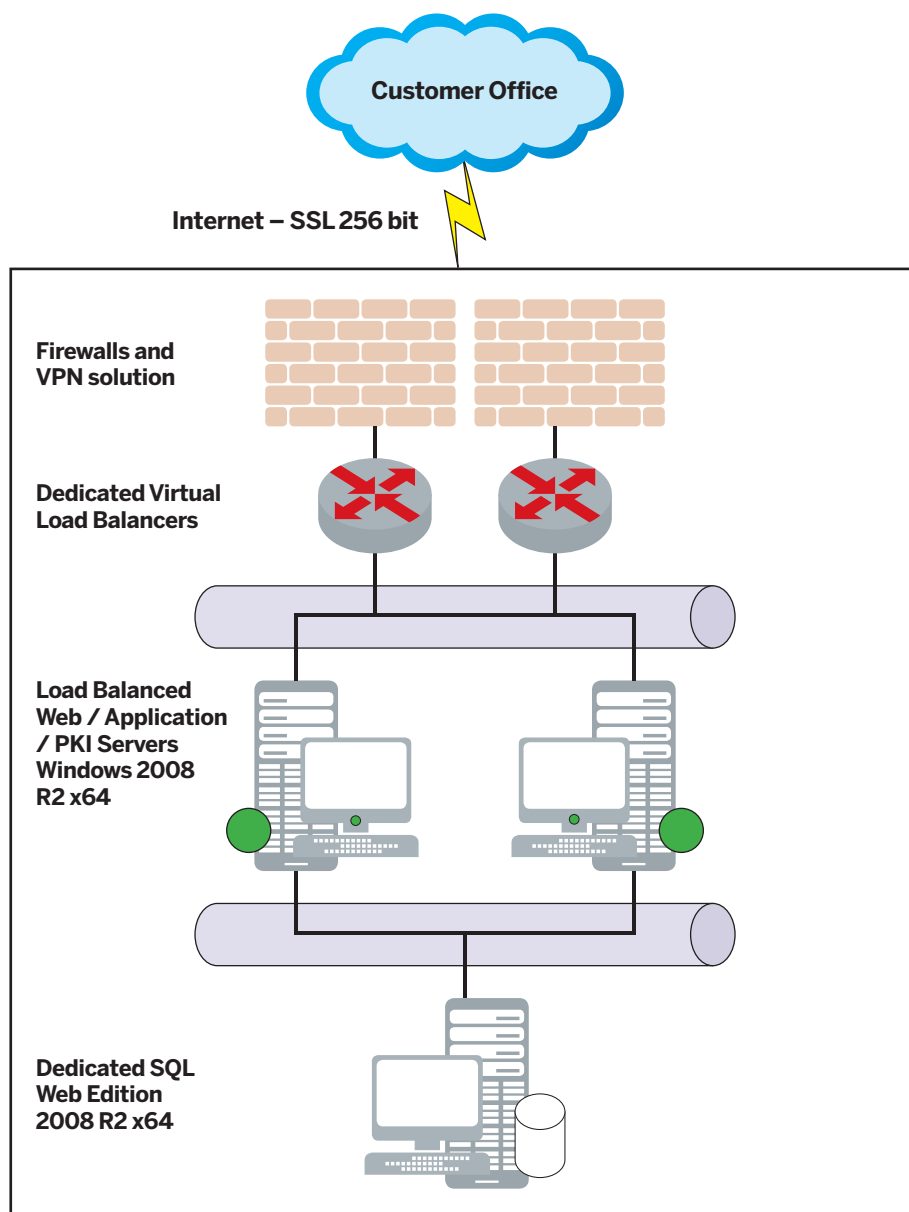
Newsflashes

Every day around the world, literally thousands of operational risk events occur, some of which make it into the news. Monitor breaking stories, each cross-referenced to standard taxonomy classifications, then use these to increase risk awareness in your firm. Mine the 15,000 existing cases to illustrate risk assessments, scenarios or to add to your risk reports.

Our content is further augmented by the ability to directly link to external loss data consortia and to interact with industry association benchmarking initiatives

TECHNICAL ARCHITECTURE

The Risk*Business* Risk*IntelliSet* is primarily provided as a software-as-a-service (SaaS) solution, accessed across your firm via the internet. Employing advanced data segregation and firm-specific encryption techniques, each firm enjoys its own data structures, configuration, rules and controls, while benefiting from lower technology and maintenance costs and real-time content delivery. If, however, a SaaS implementation is not appropriate, a dedicated in-house implementation is possible. The Risk*IntelliSet* employs secure internet connectivity, which can be augmented with security layers such as IP address restrictions and flexible user access profiles.



A standard set of reports are available within each service and all of the firm's data is available for download. In addition, a complete software development kit and test environment is available for firms who wish to develop automated interfaces between the Risk*Business* Risk*IntelliSet* and other internal platforms with which data needs to be interchanged.

**Further
Information**

For more information on the Risk*Business* Risk*IntelliSet*, please visit

www.RiskBusiness.com

or email us at info@riskbusiness.com

Risk*Business*